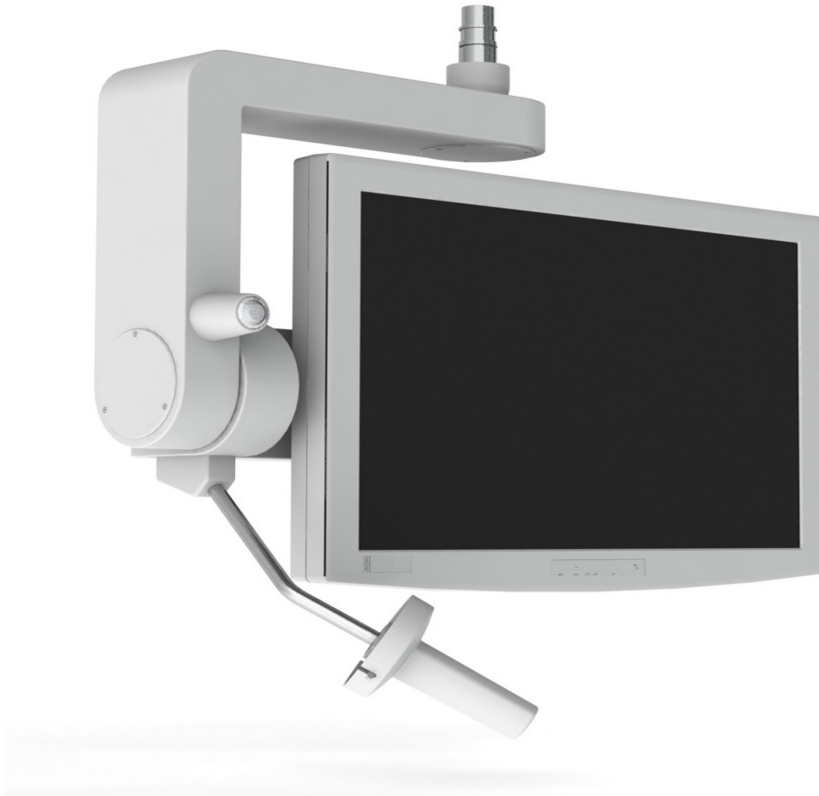


## marView® TFT Suspension




### **Mechanical design**

TFT suspension for cardanic fixation and flexible positioning of flat-screen monitors using a VESA 75 or VESA 100 interface. Designed for cabling integration, running it through the suspension system and its joints. Sterile operation by removable and sterilizable handle or disposable handle.

- Compatible with marLED® light system
- Can be installed on tracking/spring arm systems with AC3000 (or AC2000) spring arms
- Cable ducts with a diameter of up to 24 mm (AC3000)
- Cable ducts with a maximum diameter of twice 10 mm (AC2000)
- Integrated mechanical adapter for microphone installation

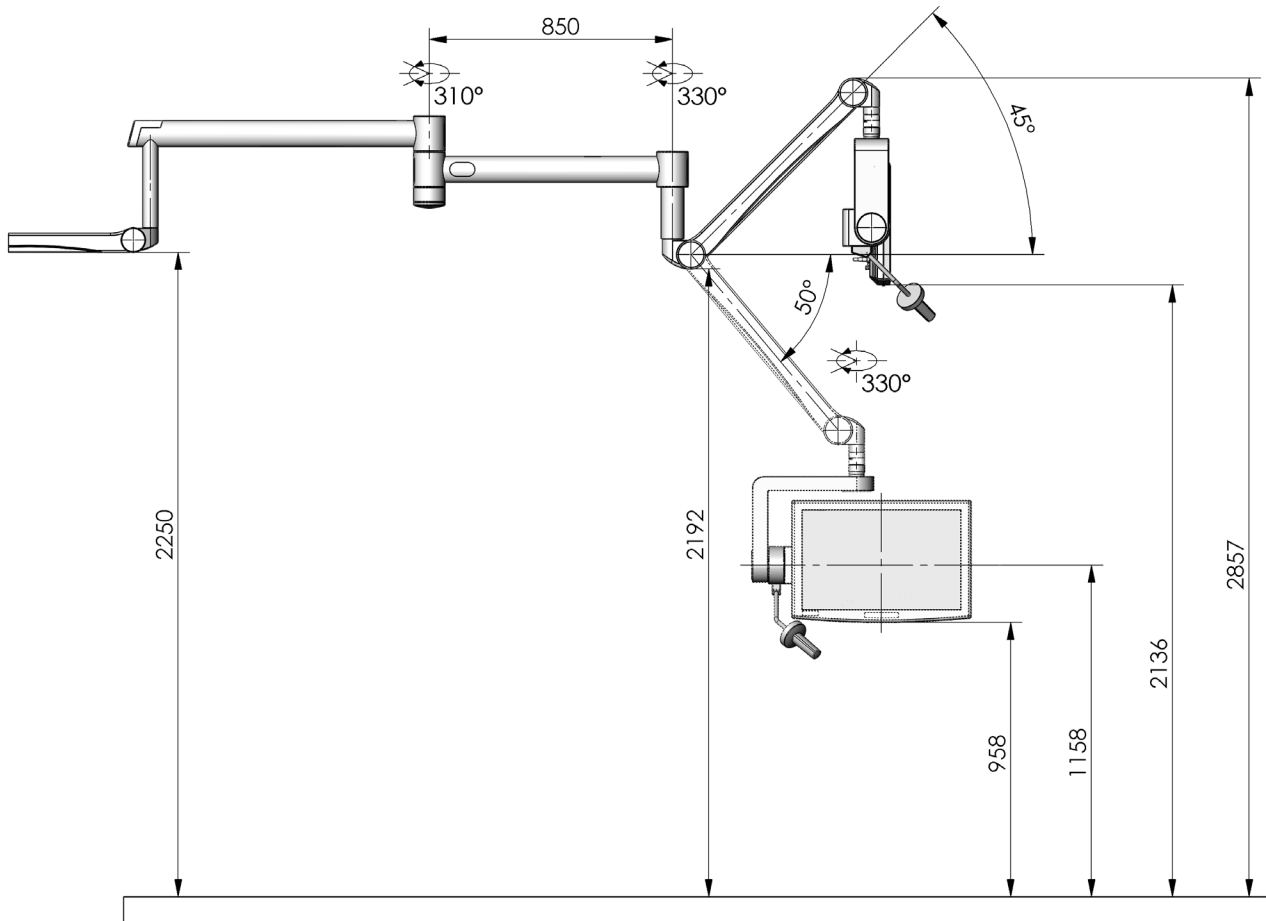
Specifications subject to change without notice

Technical Data		marView®
Suspension system		cardanic
Cable routing		cables can be integrated into suspension system
Mounting interface standards		VESA 100, VESA 75
Axes of motion		1 x vertical, 1 x horizontal
Monitor size, min.	inches	19
Monitor size, max.	inches	26
Inside dimensions of cutout for monitor PSU integration into suspension system (L x W x D)	mm	approx. 400 x 100 x 50
Weight of suspension system	kg	7.2
Max. load (monitor weight)	kg	11
Degree of protection		IP 30
Compatibility		marLED® operating lights
Conformity		CE
Protective conductor (PE) connection		
Protection class		I
Type		B
Make		KLS Martin
Item number		89-417-50-04
<b>Ambient conditions: operation</b>		
Temperature	°C (°F)	-50 to +50 (-58 to 122)
Relative humidity	%	30-75
Atmospheric pressure	hPa	700-1060
<b>Ambient conditions: transport &amp; storage</b>		
Temperature	°C (°F)	-50 to +50 (-58 to 122)
Relative humidity	%	10-75
Atmospheric pressure	hPa	500-1060

Specifications subject to change without notice

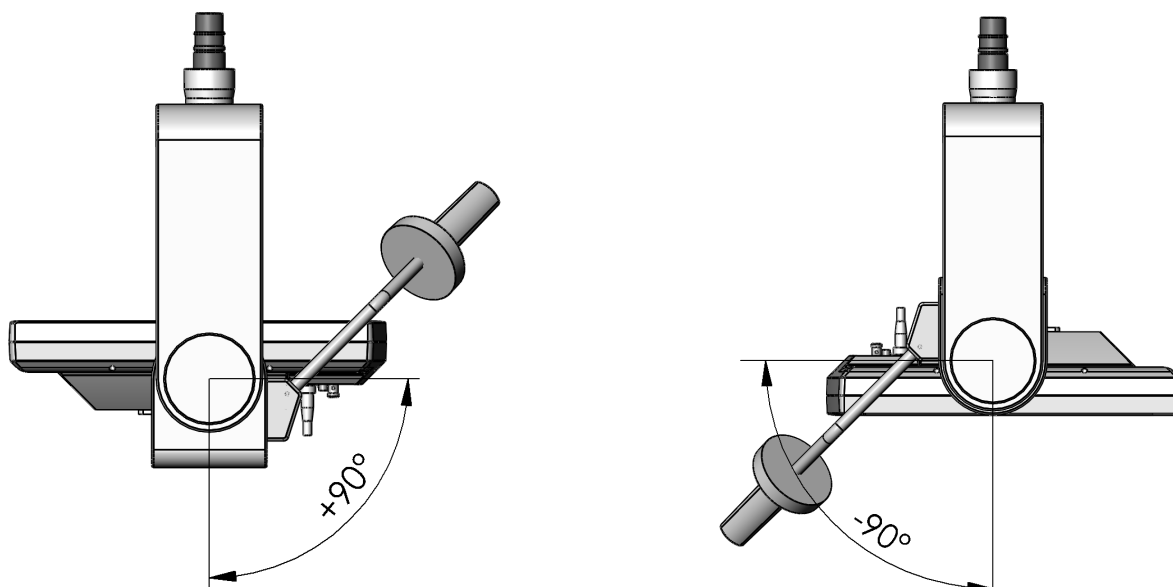
### Technical drawing

marView® on AC3000, with cabling running through central bearing shaft integrated into the suspension system.

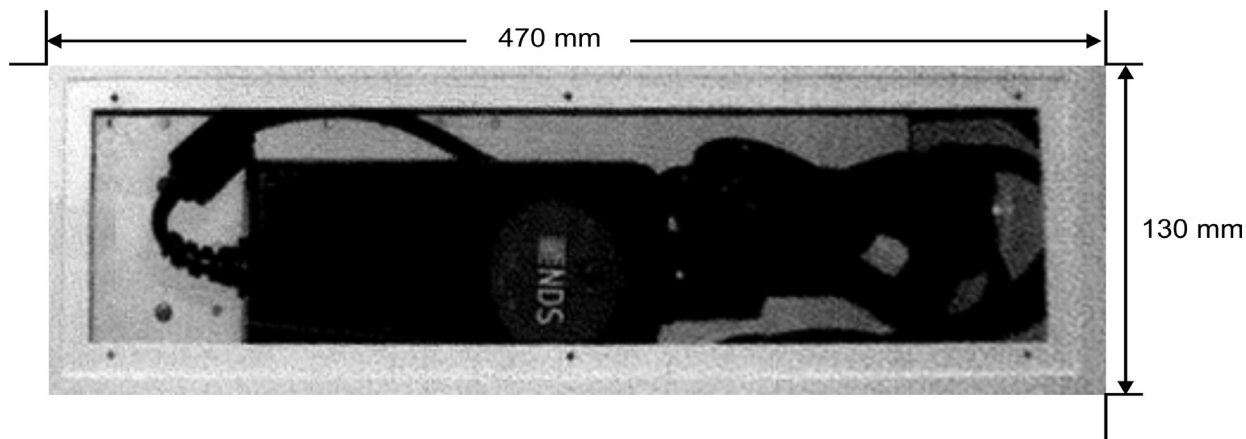


Specifications subject to change without notice

### Monitor tilt angle



### Rear view (PSU integration)



### Exclusive UK-representative / Local UK contact:

Starkstrom Powering Healthcare

Tel: +44 (0) 20 8868 3732

Fax: +44 (0) 20 8868 3736

E-mail: [info@starkstrom.com](mailto:info@starkstrom.com)



Specifications subject to change without notice