



starkstrom

a Progility company

Powering Healthcare

+44 (0)20 8868 3732

www.starkstrom.com

S500 PROTEUS PENDANT

Series 500

Pneumatically braked, twin arm, heavy duty, ceiling mounted lateral movement pendant for critical care areas, operating theatres, endoscopy and anaesthesia. A variety of arm and column lengths are available depending on the procedures and accessories required.

Clinical Benefits

- Defined Wet & Dry side configuration.
- Simple colour coded braking system.
- Provides all round access to the patient including the head area.
- Highly flexible - can be easily and safely repositioned to suit different cases and procedures.
- Neatly managed bed spaces reduces visual impact on patient and visitors.
- Unique triangular service column with integral utility poles allows multiple shelves and accessory mounting on all sides.
- Upgradeable, modular design accommodates any medical devices - up to 150kg load capacity per arm.
- Medical gas, electrical, data sockets and nurse, crash call outlets at a safe operational height.
- Standard and bespoke accessories available.
- Integral cable management provides a safe and organised environment.
- Freedom from hazardous trailing leads and hoses.
- Freedom from the hazards associated with trolley mounted devices.
- Facility to dock or mount OEM ventilators and anaesthesia machines.

Commercial Benefits

- Low maintenance cost.
- Modular design with low lifetime cost.
- UK manufactured - competitive pricing - PFI proven.
- Full design, installation, commissioning, training and service.

Infection Control Features

- Ceiling mounted system keeps floor clear and easy to clean.
- Oval arm design reduces dust build-up and promotes the cleaning process.
- Screw less socket and column fascias.

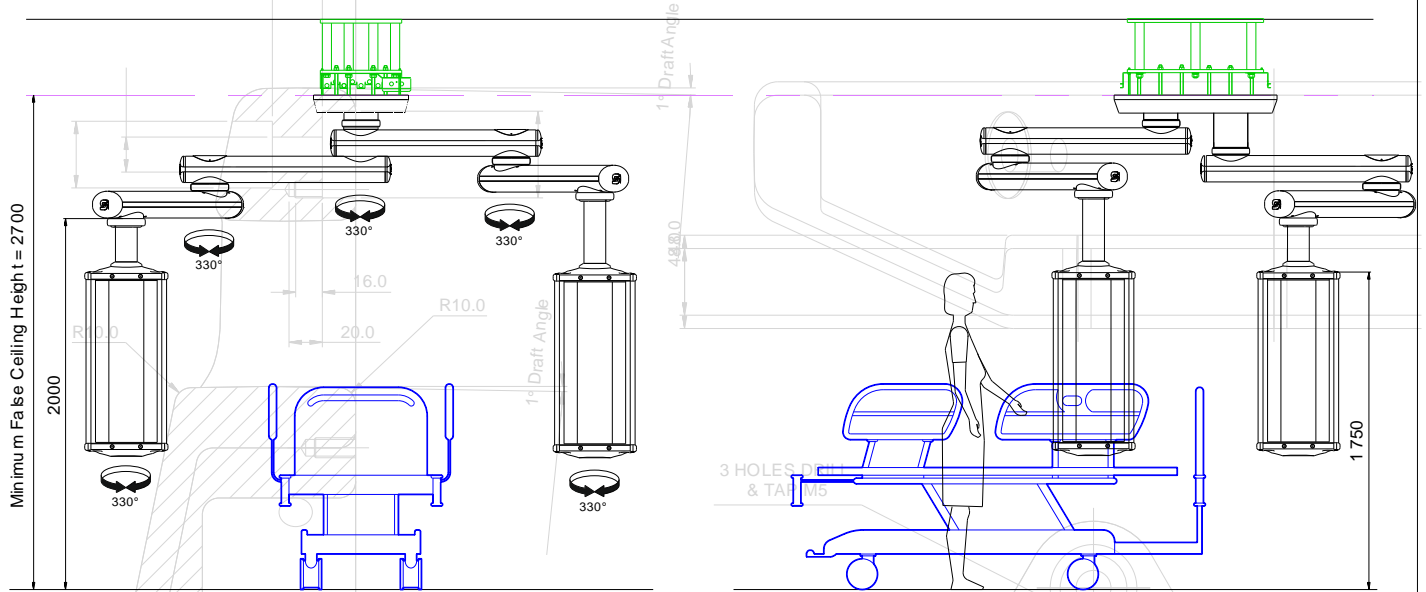


www.starkstrom.com

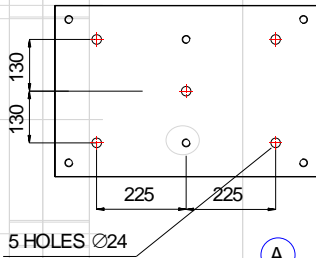
256 Field End Road, Eastcote, Ruislip, Middlesex, HA4 9UW, UK
Tel: +44 (0) 20 8868 3732 Fax: +44 (0) 20 8868 3736



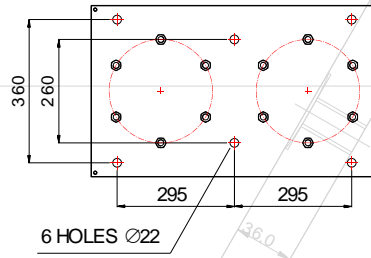
S500 PROTEUS - CRITICAL CARE PENDANT- TECHNICAL DATA SHEET



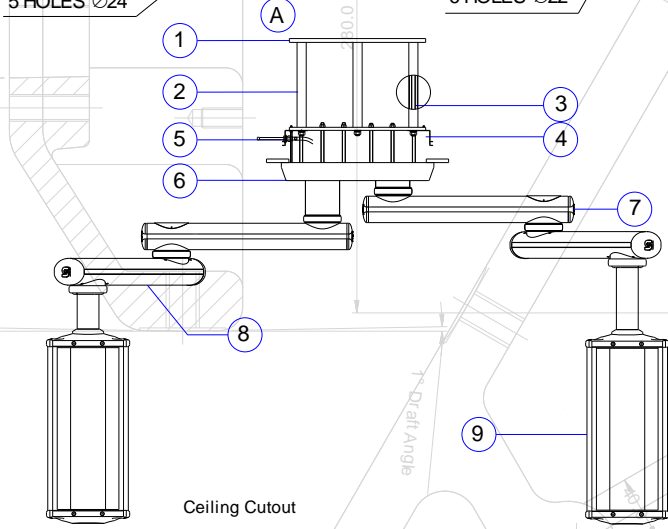
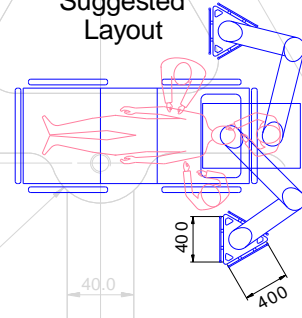
Soffit Plate Drilling



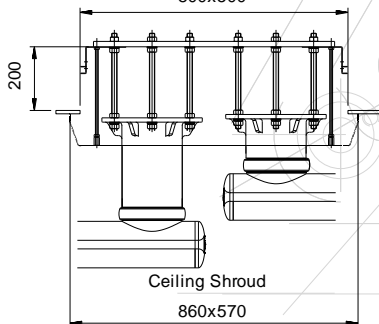
1st Fix Plate



Suggested Layout



Ceiling Cutout
800x500



Ref	Description
1*	
2*	Support Tube
3*	M20 Threaded Rod
4	First Fix Plate
5	NIST Termination Plate
6	Ceiling Shroud
7	Primary Articulated Arm (800 or 600Lg)
8	Secondary Articulated Arm (800 or 600Lg)
9	S500 Pendant Head (2, 4 and 6 Segment)

Description	Load	Torque
S500 Proteus Ref. 864/864	6500N	10100Nm

Pendant Head Capacity (as shown)	
Maximum Carrying Capacity	= 150Kg
Internal Bearing Diameter	= Ø122
Maximum Gas Content	= 12 Gas
Maximum Electrical Content	= 50 x 13A Socket Outlet
Maximum ELV Content	= 18 x Single Gang Outlet

HTM02-01 compliant

Note: This data sheet is to be used for reference purposes only and is subject to change without notification