



# starkstrom

a Progility company

Powering Healthcare

+44 (0)20 8868 3732

[www.starkstrom.com](http://www.starkstrom.com)

## S400 PROTEUS PENDANT

### Series 400

Pneumatically braked, single arm, heavy duty, ceiling mounted lateral movement pendant for operating/ hybrid theatres, endoscopy, anaesthesia and critical care areas. A range of arm and column lengths are available depending on the procedures and equipment required.

#### Clinical Benefits

- Simple colour coded braking system.
- Highly flexible - can be easily and safely repositioned to suit different cases and procedures.
- Neatly managed bed spaces reduce the visual impact on patient and visitors
- Unique triangular service column with integral utility poles allows multiple shelves and accessory mounting on all sides.
- Upgradeable, modular design accommodates any medical devices with arm payload of 150kg (270kg heavy duty).
- Medical gas, electrical, data, AV sockets and nurse, crash call outlets at a safe operational height.
- Standard and bespoke accessories available.
- Integral cable management provides a safe and organised environment.
- Freedom from hazardous trailing leads and hoses.
- Freedom from the hazards associated with trolley mounted devices.
- Facility to dock or mount OEM ventilators and anaesthesia machines.

#### Commercial Benefits

- Low maintenance level.
- Modular design with a low lifetime cost.
- UK manufactured - competitive pricing - PFI proven.
- Full design, installation, commissioning, training and service.

#### Infection Control Features

- Ceiling mounted system keeps floor clear and easy to clean.
- Oval arm design reduces dust build up and promotes the cleaning process.
- Screw less socket and column fascias.

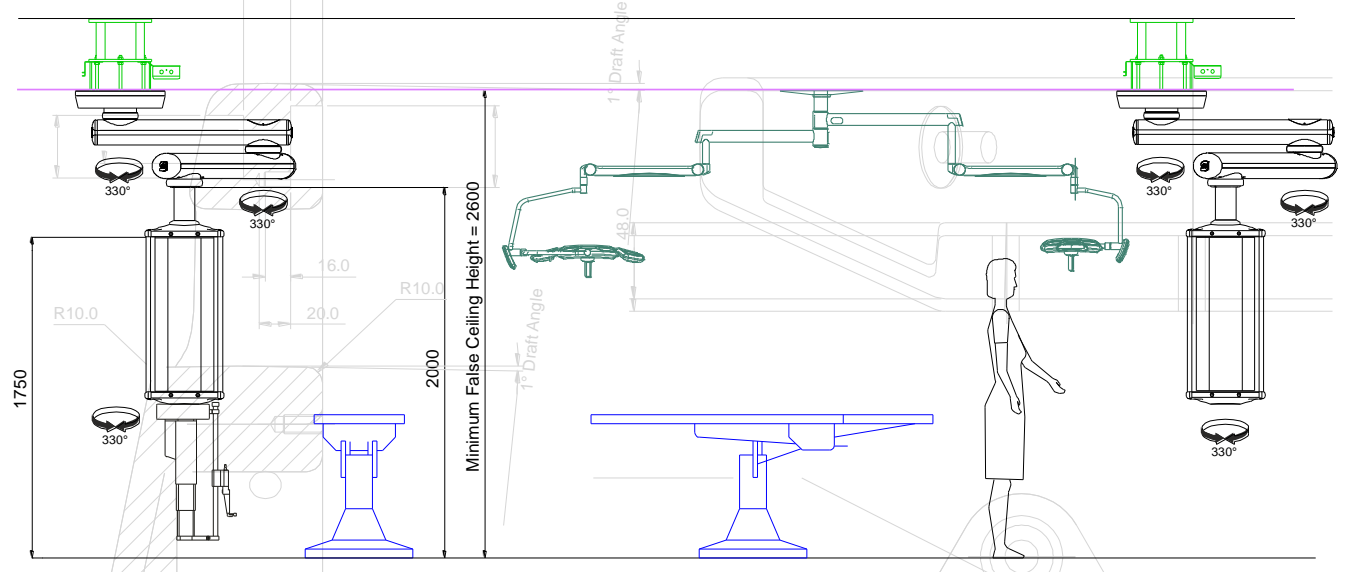


[www.starkstrom.com](http://www.starkstrom.com)

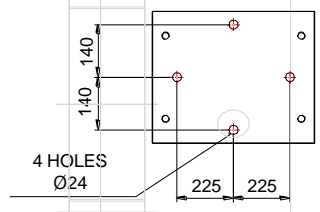
256 Field End Road, Eastcote, Ruislip, Middlesex, HA4 9UW, UK  
Tel: +44 (0) 20 8868 3732 Fax: +44 (0) 20 8868 3736



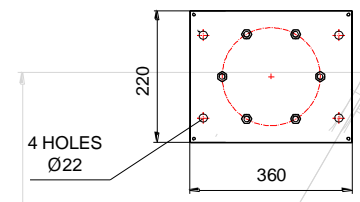
# S400 PROTEUS - THEATRE PENDANT - TECHNICAL DATA SHEET



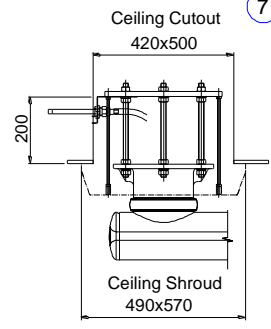
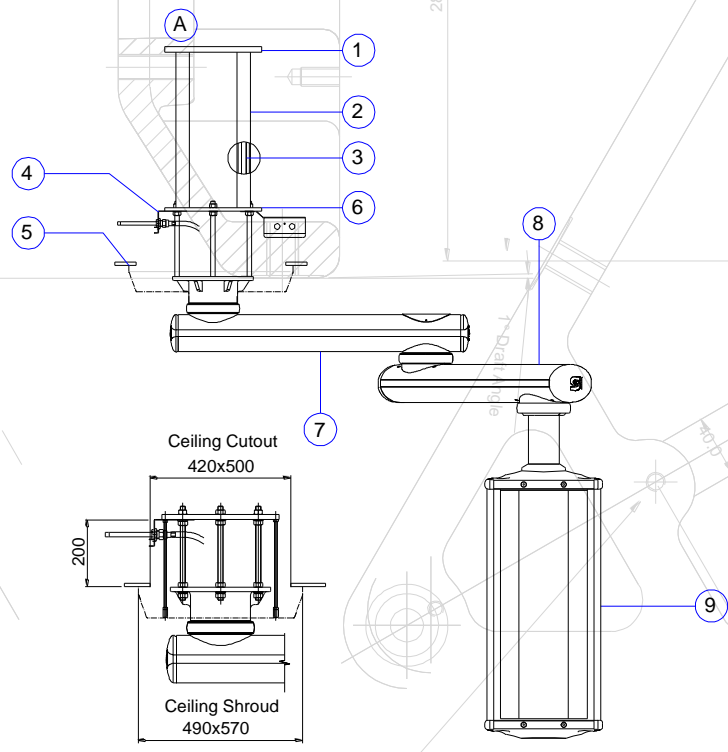
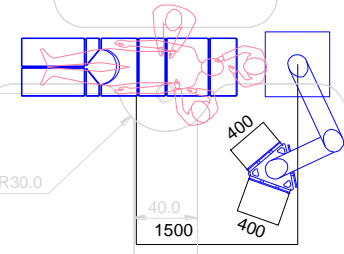
Soffit Plate



1st Fix Plate



Suggested Layout



Ref	Description
1*	S Plate
2*	Support Tube
3*	M20 Threaded Rod
4	NIST Plate
5	Ceiling Shroud
6	First Fix Plate
7	Primary Articulated Arm
8	Secondary Articulated Arm
9	S400 Pendant Head (2, 4 and 6 Segment)

\* Supplied by others unless included in quotation

Loading At 'Position A'		
Description	Load	Torque
S400 Proteus (SD-864)	2950N	3950Nm
S400 Proteus Heavy Duty (HD-864)	4896N	7254Nm

Pendant Head Capacity (as shown)	
Maximum Arm Payload	– 150Kg (SD) / 270Kg (HD)
Internal Bearing Diameter	– Ø105
Maximum Gas Content	– 14 Gas + 2 AGSS
Maximum Electrical Content	– 50 x 13A Socket Outlet
Maximum ELV Content	– 18 x Single Gang Outlet

HTM02-01 compliant

Note: This data sheet is to be used for reference purposes only and is subject to change without notification